

672/673

SEMI-AUTOMATIC & AUTOMATIC BEDKNIFE GRINDERS



FEATURES	672	673
Mounting System	Electro Magnets	Electro Magnets
Adjustable Flood coolant	✓	✓
Quick retractable Setup Gauge	✓	✓
Powered, Fixed Stop Grind Angle	✓	✓
Integrated Diamond Dresser	✓	✓
Height Adjustable Grinding head	✓	✓
Variable Speed Belt Drive Traverse System	✓	✓
Automatic Mode - with Powered Infeed		✓
OPTIONAL EQUIPMENT		
Borazon Wheel	Optional	Optional
Bellows Kit	Optional	Optional
Flood Coolant Additive	Optional	Optional

WHEN ACCURACY AND SPEED MATTER, THESE GRINDERS DELIVER. SET-UP IS SIMPLE AND FAST WITH THE POSITIVE GAUGE STOPS.

DISTRIBUTED BY:



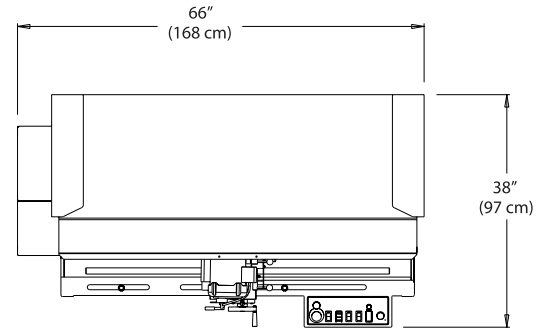
Hong Kong | Singapore | Malaysia | Australia

Email: info@centaur-asiapacific.com

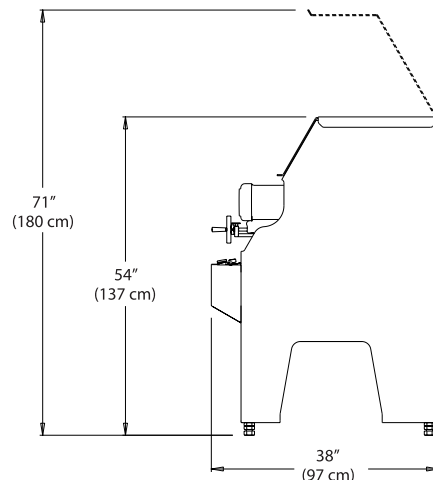
Website: www.centaur-asiapacific.com

▶ DIMENSIONS:

TOP VIEW



SIDE VIEW



©2020 FOLEY COMPANY. ALL RIGHTS RESERVED. PN3730172 - LU01072020

672/673 SEMI-AUTOMATIC & AUTOMATIC BEDKNIFE GRINDERS

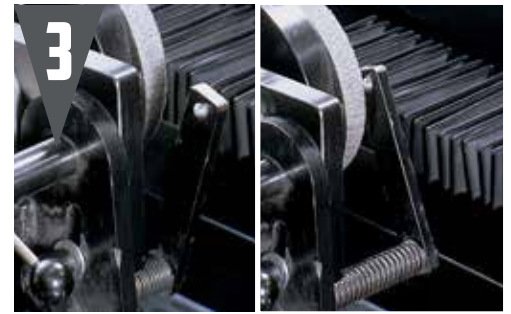
ANGLE SET-UP



INTEGRATED FLOOD COOLANT



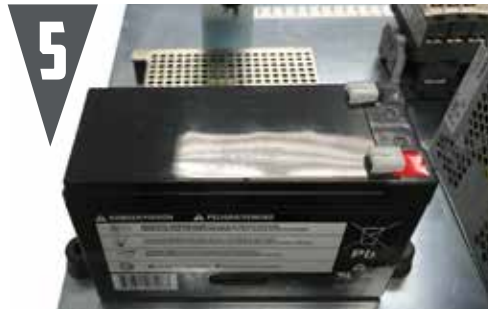
DIAMOND WHEEL DRESSER



IN-FEED CONTROL



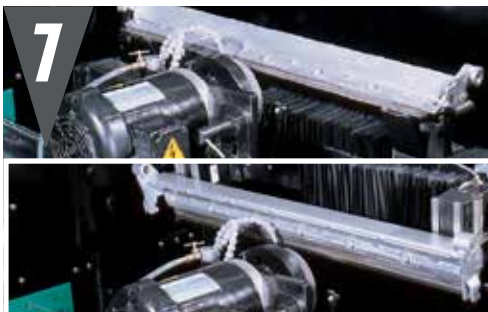
SUPPLEMENTAL POWER SUPPLY



BELT DRIVE TRAVERSE SYSTEM



POWERED ANGLE ADJUSTMENT



ELECTROMAGNETIC MOUNTING SYSTEM



ALIGNMENT GAUGE



EASIEST + FASTEST TO USE BEDKNIFE GRINDERS IN THE WORLD

AN INNOVATIVE BEDKNIFE MOUNTING SYSTEM

USES POWERFUL ELECTROMAGNETS TO HOLD THE BED BAR IN PLACE MAKING SET-UP SIMPLE AND FAST. YOU CAN GRIND ANY BED BAR ARRANGEMENT WITHOUT ADDITIONAL TOOLING.

FAST ANGLE SET-UP

PROVIDES REPEATABILITY WITHOUT RECALIBRATION. CHANGING FROM GRINDING THE FRONT FACE TO THE TOP FACE IS AS SIMPLE AS PUSHING A BUTTON AND WATCHING AS THE POWERED TOOL BAR ROTATES INTO POSITION.

EASY-TO-USE CONTROLS

USES A PRECISION HAND WHEEL TO IN-FEED THE GRINDING HEAD WHILE IT AUTOMATICALLY TRAVERSES. THE 673 AUTOMATES THE PROCESS BY USING ONE OF THE PRE-SET PROGRAMS TO AUTOMATICALLY IN-FEED THE GRINDING HEAD, AND STOP THE GRINDING PROCESS WHEN COMPLETED.

OPERATOR PROTECTION

A STURDY METAL HOOD WITH A CLEAR POLYCARBONATE WINDOW THAT RETAINS THE COOLANT MIST AND SHIELDS THE OPERATOR. THE INTERLOCKING SWITCH PREVENTS OPERATION WITHOUT THE HOOD BEING TOTALLY CLOSED. THE SUPPLEMENTAL POWER SUPPLY PROTECTS THE OPERATOR IN THE EVENT OF A POWER OUTAGE, MAINTAINING POWER TO THE ELECTROMAGNETS AND HOLDING THE BED BAR FIRMLY IN PLACE.

