

618 | ACCU-SHARP SPIN/ RELIEF REEL GRINDER

FOLEY COMPANY

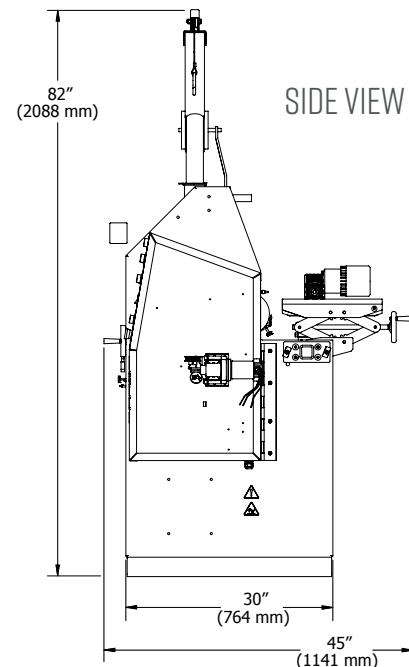
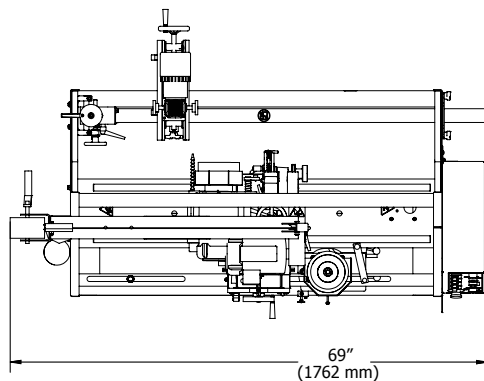


FEATURES

SPIN GRIND CAPABLE	✓
AUTO INDEXING HANDS FREE RELIEF GRINDING	✓
- ELECTRONICALLY CONTROL TORQUE FOR RELIEF	✓
QUICK REEL PLACEMENT - ACCU-REEL SELECTOR	X
CONE/TAPER REMOVAL - EASY ALIGNMENT OF REEL TO GRINDER	DIAL INDICATOR
VARIABLE SPEED SPIN DRIVE MOTOR	ADJUSTABLE BRACKET
VARIABLE SPEED BELT DRIVE TRAVERSE SYSTEM	✓
3 PACK OF DRIVE ADAPTERS (MALE - 8, 9 AND 11 TOOTH SPLINE)	✓
REAR DOOR WITH SAFETY INTERLOCK	X
FRONT SAFETY DOOR WITH SAFETY INTERLOCK	✓
QUICK CHANGE GRINDING WHEEL	✓
OVERHEAD BOOM - HAND WINCH	✓
OPTIONAL EQUIPMENT:	
BEDKNIFE ATTACHMENT KIT	✓
OVERHEAD BOOM - ELECTRIC WINCH	✓

► DIMENSIONS:

TOP VIEW



MADE USA
IN THE

©2020 FOLEY COMPANY. ALL RIGHTS RESERVED. PN3730167 - LU01072020

FOLEYCO.COM | 800.225.9810

PRECISION AT PLAY

618 | ACCU-SHARP SPIN/ RELIEF REEL GRINDER

FOLEY
COMPANY

ADJUSTABLE REEL MOUNTING MECHANISM



SINGLE POINT INFEEED



PATENTED AUTO-INDEX RELIEF ASSEMBLY



ALIGNMENT GAUGE



TRAVEL LIMIT PROXIMITY SWITCH



VARIABLE SPEED SPIN DRIVE



GAUGE, TOUCH-UP SPIN + RELIEF GRIND

DISTRIBUTED BY:

CENTAUR
ASIA PACIFIC

Hong Kong | Singapore | Malaysia | Australia

Email: info@centaur-asiapacific.com

Website: www.centaur-asiapacific.com



MANUAL HOIST
REEL LIFTING OPTION

PATENTED AUTO-INDEX RELIEF

LOWER LABOR COSTS, WHILE RETURNING REELS TO OEM SPECIFICATIONS.

ONE-PIECE WELDED FRAME CONSTRUCTION

MINIMIZES SPACE NEEDED TO NAVIGATE SET-UP AND OPERATION.

PRECISION AT PLAY